

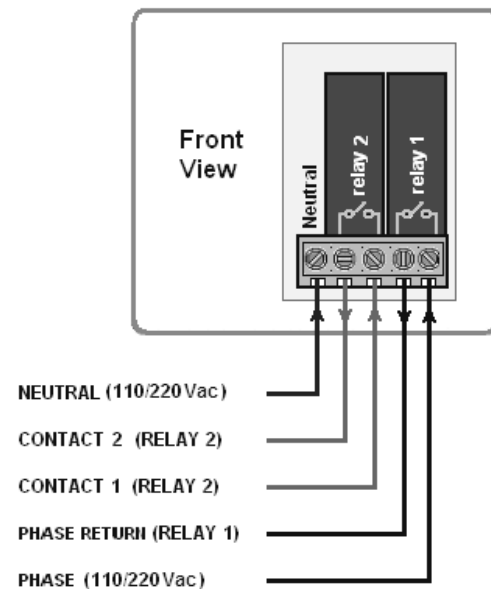
- Generates a significant reduction in power consumption.
- Lights are activated by inserting the lock keycard into the energy saving device.
- Reads magstripe cards (track 1).
- Intelligent system which differentiates guest and master cards; activates one or two relays depending on the information read from the card.
- Timed courtesy light; cuts the electric circuits after a 1 minute delay.
- LED lights for easy location in the dark.
- For wall surface installation (no flush mount).
- No need to communicate with portable programmer.
- Works with Onity HT24W electronic locking system.

Weight: 210gr
 Dimensions: 132 x 97 x 35 mm (H x W x D)
 Box material: White ABS colour
 Fire resistant BG3(H) according to UL94 V-0 standard
 Packing: Plastic bag

Power Consumption: Nominal 10mA, Max. 20mA
 Power Supply:
 Voltage: 110 or 230 Vac. Tolerance 10%
 Frequency: 50-60Hz
 Output Relay: 2 Relays
 Power cut-off: 12A, 250V~,cos φ = 1
 8A, 250V~,cos φ = 0,6
 Incandescent Max. Load: 10A
 Halogen Max. Load: 10A



Connections Diagram



IMPORTANT: Halogen, electronic fluorescent and low consumption lamps present a very high consumption (up to 20Amp) at switch-on and switch-off time, rapidly damaging relay contacts. If this type of lamps are being used, Onity recommends to use a contactor.